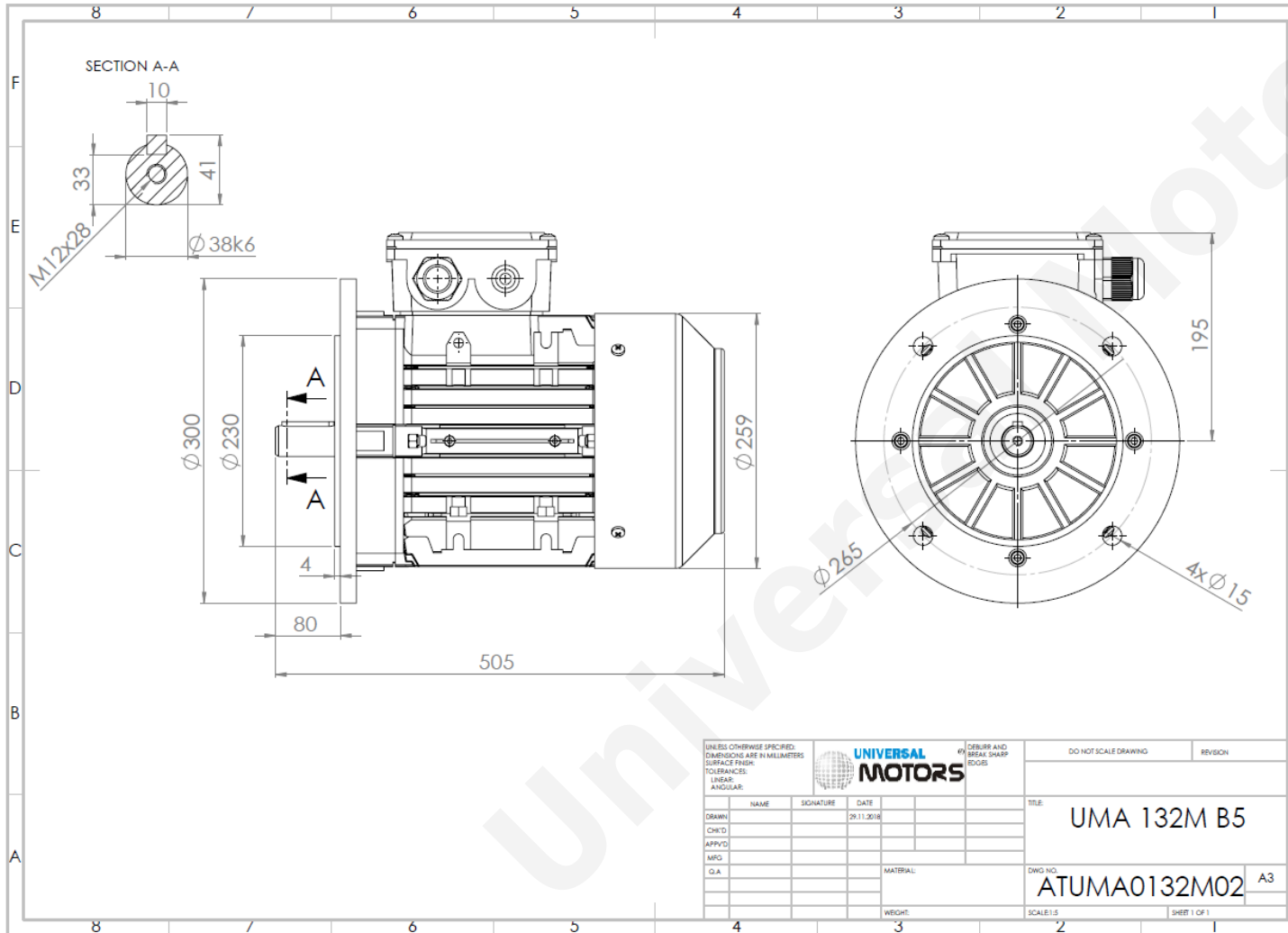




TECHNICAL DATA

Three Phase Electric Motors - Aluminum Frame
 UM2A 132M2-6
 5.5 kW / 7.5 Cv
 965 RPM



| | |
|-----------------------------|------------------------|
| Motor type: | UM2A 132M2-6 |
| Output: | 5.5 kW / 7.5 Cv |
| Speed (min ⁻¹): | 965 RPM |
| Frequency: | 50 Hz |
| Voltage: | 400 V |
| Current: | 12.3 A |
| Power factor (Cos Ø): | 0.75 |
| Poles: | 6 |
| Insulation class: | F |
| Temperature rise Class: | B |
| Efficiency 50%: | 86.8 % |
| Efficiency 75%: | 87.2 % |
| Efficiency 100%: | 86.0 % |
| Torque: | 55.0 N.m |
| Tstarting/Tnominal: | 2.4 |
| Istarting/Inominal: | 6.6 |
| Tmaximum/Tnominal: | 2.6 |
| Noise: | 68 Db(A) |
| Weight: | 51.8 Kg |
| Brake AC: | AC7 |
| Torque Brake DC: | 80 N.m |
| Bearing DE: | 6308 2Z |
| Bearing NDE: | 6208 2Z |
| Torque Brake AC: | 90 N.m |
| Brake DC: | REB-05-16 |

| | | | | | | | | |
|---|------|-----------|------------------------------|-----------|----------------------|-----------------|----------|--|
| UNLESS OTHERWISE SPECIFIED, DIMENSIONS ARE IN MILLIMETERS | | | UNIVERSAL MOTORS | | DO NOT SCALE DRAWING | | REVISION | |
| SURFACE FINISH: | | | DEBURR AND BREAK SHARP EDGES | | | | | |
| TOLERANCES: | | | | | | | | |
| LINEAR: | | | | | | | | |
| ANGULAR: | | | | | | | | |
| DRAWN | NAME | SIGNATURE | DATE | | TITLE: | UMA 132M B5 | | |
| CHK'D | | | 29.11.2016 | | | | | |
| APP'VD | | | | | | | | |
| MFG | | | | | | | | |
| Q.A | | | | | | | | |
| | | | | MATERIAL: | DWG NO: | ATUMA0132M02 A3 | | |
| | | | | WEIGHT: | SCALE:1:5 | SHEET 1 OF 1 | | |

Regime - S1

Altitude - 1000m

Environment Temperature - 40°C

CONTACTS:

UNIVERSAL MOTORS Tel: +351 252 299 080
 Rua de São Brás,745 Fax: +351 252 299 089
 4480-782 VILA DO CONDE Mail: geral@universalmotors.pt

* References applied only in the UK